

## ONLINE S SERIES

**The Best Quality Online Double Conversion UPS That Offers the Highest Level of Power Protection**



Online Topology



Energy Saving



Smart Battery Management



LCD Display



Generator Compatible



Remote Management

Featuring Online Double Conversion UPS topology, the Online S Series provides the highest level of power protection and guaranteed quality power supply to demanding businesses who value versatility, flexibility, manageability and performance. Numerous engineering excellences showcase in this enterprise-level application including Energy Saving Technology, Generator Compatible and Smart Battery Management, which further enhance its overall performance and capability for better operating efficiency.

The OLS6000/10000ERT6UM is equipped with a detachable Maintenance Bypass PDU. By turning the bypass switch, the power supply is safely transferred to Manual Bypass Mode. This allows service personnel to carry out fast on-site UPS maintenance or perform UPS hot-swap without having to shut down any connected equipment.

This UPS comes with Remote Management Capabilities by using the PowerPanel® Business Edition management software, enabling users to perform comprehensive power management, including real-time monitoring, unattended-shutdown of connected equipment, power alert notification, event logging and internal reports and analysis.

### ONLINE DOUBLE CONVERSION TOPOLOGY



Online (Double Conversion) topology provides the perfect and reliable output quality regardless of the condition of the incoming power by converting AC power to DC power and then back to AC power. With zero transfer time during unexpected power outages, Online topology guarantees the power continuity of the mission-critical equipment to ensure 100% uptime and system protection.

## APPLICATIONS

- Medium Business
- Corporate Data Center
- Networking, Servers & Workstations
- Industrial Equipment

## SERIES FEATURES

- Pure Sine Wave Output
- Online (Double Conversion) UPS Topology
- High Output Power Factor (0.9)
- Available with Up to 4 Units in Parallel
- Rack Mount Form Factor
- EMI, RFI, Surge and Spike Protection
- Auto-Restart/Auto-Charge
- Emergency Power Off (EPO) Port
- Multifunction LCD Readout
- USB & Serial Connectivity Ports
- Extended Runtime Model - Up to 3 battery packs
- SNMP/HTTP Remote Management Capability (Optional)
- PowerPanel® Business Edition Software

### CISCO COMPATIBLE



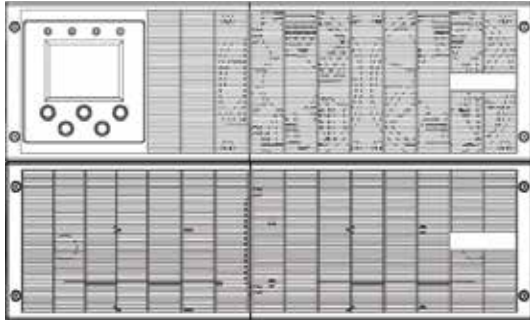
CyberPower® works with Cisco on the latest version of EnergyWise™ Compatibility. Go to <https://www.cyberpower.com/ww/en/support/knowledge/energywise> for more information.

### POWERPANEL® BUSINESS EDITION SOFTWARE

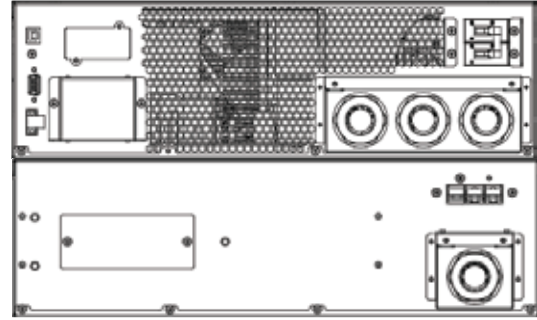


**System Graceful Shutdown Software** This software can provide orderly shutdown for your computer systems during the event of an extended AC power failure. This software supports Windows, Linux, and Mac operating systems and virtual platforms VMware, Microsoft Hyper-V, and Citrix XenServer

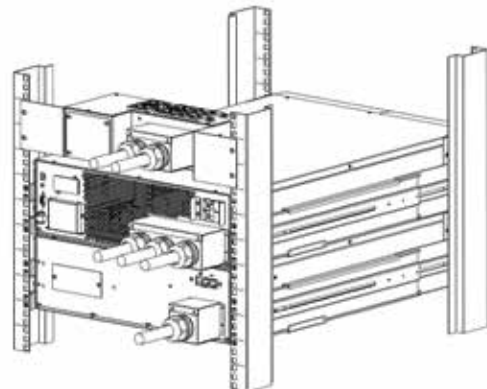
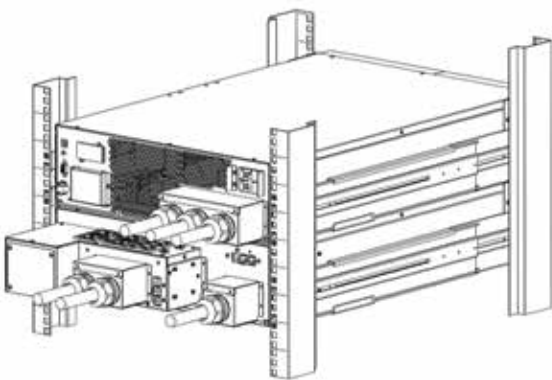
Model Name	RTUPS-OLS6000ERT6UM	RTUPS-OLS10000ERT6UM
<b>General</b>		
UPS Topology	Double Conversion	Double Conversion
Energy Saving	ECO Mode Efficiency > 96%	ECO Mode Efficiency > 96%
Parallel Expansion (Max. Units)	4	4
<b>Input</b>		
Generator Compatibility	Yes	Yes
Nominal Input Voltage	230Vac	230Vac
Input Voltage Range	110Vac - 276Vac	110Vac - 276Vac
Input Frequency Range	50 ± 5Hz / 60 ± 6Hz (Auto-sensing)	50 ± 5Hz / 60 ± 6Hz (Auto-sensing)
Rated Input Current	27.3A	45.5A
Input Power Factor	0.99	0.99
Plug Type	Hardwire Terminal Block	Hardwire Terminal Block
<b>Output</b>		
VA/Watts	6000/5400	10000/9000
On Battery Waveform	Pure Sine Wave	Pure Sine Wave
On Battery Voltage	208, 220, 230, 240Vac ± 1% (Configurable)	208, 220, 230, 240Vac ± 1% (Configurable)
On Battery Frequency	50/60Hz ± 0.1% (Configurable)	50/60Hz ± 0.1% (Configurable)
Overload Protection (Line Mode)	105~125% Load for 10 min, 125~150% Load for 1 min, 150~170% Load for 10 sec, >170% Load for 1 sec	105~125% Load for 10 min, 125~150% Load for 10 sec, >170% Load for 1 sec
Overload Protection (Battery Mode)	105~125% Load for 2 min, 125~150% Load for 30 sec, >150% Load for 1 sec	105~125% Load for 2 min, 125~150% Load for 30 sec, >150% Load for 1 sec
Overload Protection (Bypass Mode)	125~150% Load for 1 min, 150~170% Load for 10 sec, >170% Load for 1 sec	125~150% Load for 1 min, 150~170% Load for 10 sec, >170% Load for 1 sec
Outlets - Total	1+9	1+9
Outlet Type	Hardwire Terminal Block x 1 [on UPS] Hardwire Terminal Block x 1, IEC C13 x 4, IEC C19 x 4 [on Maintenance Bypass PDU]	
Rated Power Factor	0.9	0.9
Harmonic Distortion	THD < 3% at Linear Load, < 5% at Non-linear Load	THD < 3% at Linear Load, < 5% at Non-linear Load
Transfer Time	0ms	0ms
<b>Battery</b>		
Runtime at Half Load (min)	17.6	9
Runtime at Full Load (min)	7.2	3
Battery Type	Sealed Lead-acid	Sealed Lead-acid
Battery Size	12V / 7AH	12V / 9AH
Typical Recharge Time	7 Hours	7 Hours
Smart Battery Management (SBM) Mode	Yes	Yes
External Battery Module (EBM)	BPSE72V45ART2U	BPSE72V45ART2U
Max. EBM Quantity	15	15
<b>Surge Protection &amp; Filtering</b>		
Surge Suppression	445 Joules	445 Joules
<b>Management &amp; Communications</b>		
LCD Panel	Yes	Yes
HID Compliant USB Port	1	1
Serial Port	RS232	RS232
Emergency Power Off (EPO) Port	Yes	Yes
Dry Contacts	Optional	Optional
Software	PowerPanel® Business Edition	PowerPanel® Business Edition
SNMP / HTTP Remote Monitoring	Yes - with optional RMCARD205	Yes - with optional RMCARD205
<b>Physical</b>		
Form Factor	Rack	Rack
<b>Physical – UPS Module</b>		
Dimensions (WxHxD) (mm.)	438 x 130.5 x 680	438 x 130.5 x 680
Weight (kg.)	55	66
Installed Rack Height	3U	3U
<b>Environmental</b>		
Operating Temperature	32 °F to 104 °F / 0 °C to 40 °C	32 °F to 104 °F / 0 °C to 40 °C
Operating Humidity	0% - 90% non-condensing	0% - 90% non-condensing
Operating Elevation	≤1000m without derating; Load Derated 1% per 100m from 1000m and 2000m	
Storage Temperature	5 °F to 133 °F / -15 °C to 45 °C	5 °F to 133 °F / -15 °C to 45 °C
Storage Relative Humidity	0% - 95% Non-condensing	0% - 95% Non-condensing
Online Thermal Dissipation	1603 BTU/hr	2672 BTU/hr
<b>Certifications</b>		
Certifications	CE	CE
RoHS Compliant	Yes	Yes



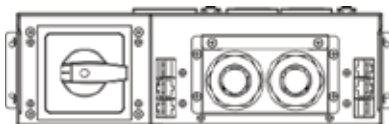
RTUPS-OLS6000ERT6UM  
RTUPS-OLS10000ERT6UM  
[Front]



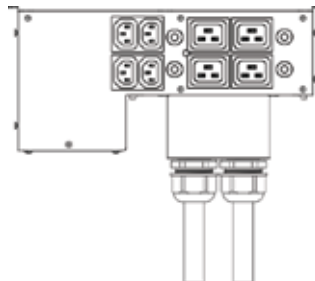
[Back]  
(without Maintenance Bypass PDU)



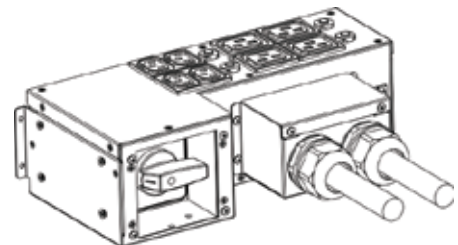
[Back]  
(without Maintenance Bypass PDU)



Maintenance Bypass PDU -  
MBP60AHVIEC82U  
[Back]



[Top]



[3D]